

SCALD PROTECTION (THERMAL RELIEF) VALVE

MODEL NO: SE 1/2 HAT SP

BENEFITS

- HAT/SP temperatures up to 105°F meet ANSI Z358.1 and AS 4775 standards
- Protects safety showers from over-temperature conditions, keeping personnel safe
- Self-operating, no power or signal required
- Two wrench flats for easy installation
- Discharges the minimum amount of water required

DESIGN FEATURES

- Exclusive Thermoloid thermal actuator
- Stainless steel body, fittings, spring, and plug
- Compact, low-mass - fast response
- Corrosion resistant - long service life
- Ram type plug for reliable and tight shutoff
- Installs in any orientation



APPLICATIONS

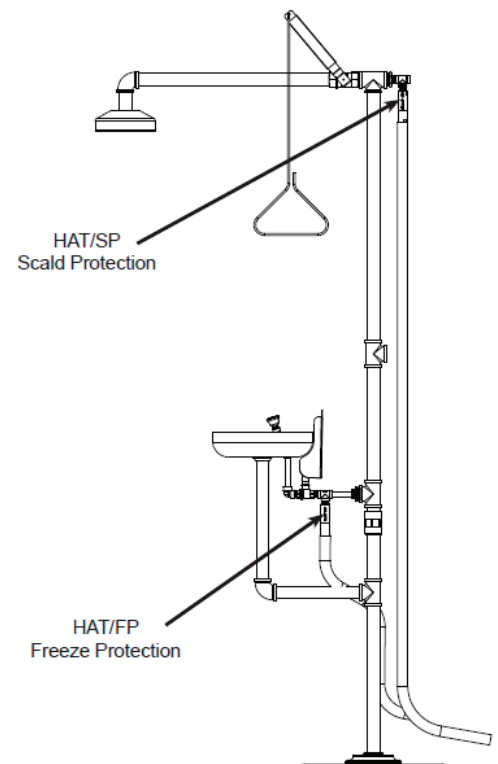
A safety hazard for plant personnel will occur through solar radiation or overheating caused by steam or electric tracing resulting in extremely high temperatures at the point of use. The HAT/SP valve prevents this safety hazard. When installed in safety showers, eyewash stations, and other locations exposed to the same source of overheating as the system, the HAT / SP will be heated just as the pipe system. The valve will open to establish flow until the over-temperature water is eliminated and it will then modulate closed.

OPERATION

The HAT/SP will initiate flow when the thermostatic actuator senses 36.7°C and will remain open as long as the discharge water temperature is above 35°C. When installed in the ambient sensing position (standard flow), the actuator will respond to ambient temperature to initiate flow and then respond to water temperature once flow is established; when installed in the fluid sensing position (reverse flow), the actuator will always respond to water temperature.

The valve must be fitted with a strainer kit to stop debris from entering the valve. Failure to do so will void warranty.

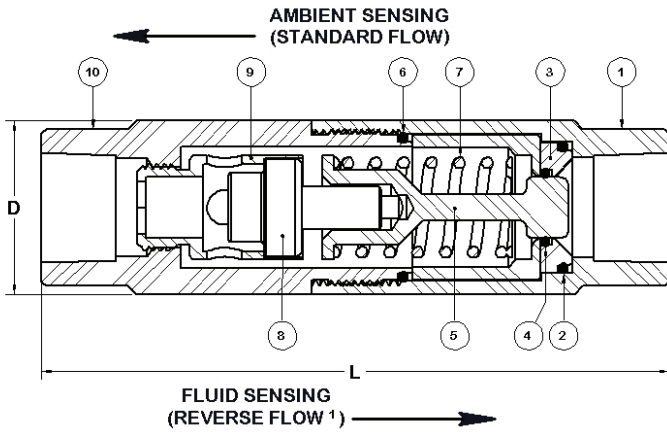
SAMPLE APPLICATION



SCALD PROTECTION (THERMAL RELIEF) VALVE

MODEL NO: SE 1/2 HAT SP

PARTS & MATERIALS



ITEM	DESCRIPTION	MATERIAL
1	BODY - HALF	300 Series SS
2	SEAT INSERT SEAL	EPDM
3	SEAT INSERT	300 Series SS
4	SEAT SEAL	FEP Encapsulated Viton
5	RAM-TYPE PLUG	300 Series SS
6	BODY SEAL	EPDM
7	OPERATING SPRING	300 Series SS
8	THERMAL ACTUATOR	Brass or 300 Series SS
9	ACTUATOR CARRIER	Brass or 300 Series SS
10	BODY - HALF	300 Series SS

DIMENSIONS & CAPACITIES

SIZE (NPT)	D	L	Weight	Port Size	C _v	Maximum Operating Pressure ¹	Maximum Temperature
	mm	mm	Kg				
1/2"	33	114	0.4	C	1.5	200 PSIG (13.8 BAR)	149°C