

## FREEZE PROTECTION VALVE

### SE 1/2 HAT FP

## BENEFITS

- Protects against freeze damage
- Primary protection or fail-safe backup
- Self operating - no power or signal required
- Discharges minimum amount of water required
- Two wrench flats for easy installation

## DESIGN FEATURES

- Exclusive thermal actuator
- Stainless steel body, fittings, and plugs
- Compact and low mass - Fast response
- Corrosion resistant - long service life
- Ram-type plug for reliable shutoff
- Narrow temperature band

## APPLICATIONS

Relying on manually opening valves for freeze protection allows for human error or plugging of partially cracked valves. This annually accounts for large amounts of freeze damage resulting in huge monetary losses associated with repairing damaged equipment, piping, as well as system downtime.

The self-actuating **HAT/FP** valve eliminates the human errors associated with manual valves. The automatic **HAT/FP** valve is ideal for the protection of piping, valves, fittings, pumps, safety showers, condensate systems, fire lines, spray nozzles, or as backup protection on traced systems.

## OPERATION

The **HAT/FP** will initiate flow when the thermostatic actuator senses 35°F (1.7°C) and will remain open as long as the discharge water temperature is below 40°F (4.4°C).

When installed in the ambient sensing position (standard flow), the actuator will respond to ambient temperature to initiate flow and then respond to water temperature once flow is established; when installed in the fluid sensing position (reverse flow), the actuator will always respond to water temperature.

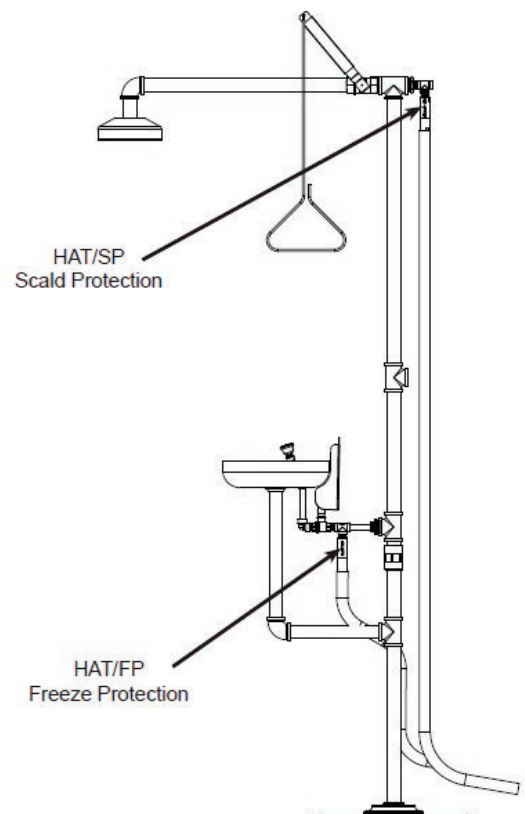
**The valve must be installed with an in-line strainer to stop debris from entering the valve.**

**Failure to do so will void all warranty.**

**PBA Safety have installation and strainer kits available.**



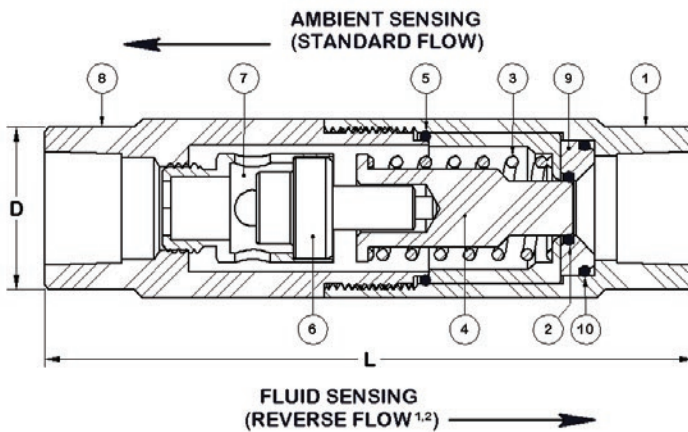
## SAMPLE APPLICATION



## FREEZE PROTECTION VALVE

### SE 1/2 HAT FP

## PARTS & MATERIALS



ITEM	DESCRIPTION	MATERIAL
1	BODY - HALF	300 Series SS
2	SEAT SEAL	FEP Encapsulated Viton
3	OPERATING SPRING	300 Series SS
4	RAM-TYPE PLUG	300 Series SS
5	BODY SEAL	EPDM
6	THERMAL ACTUATOR	Brass or SS
7	ACTUATOR CARRIER	Brass or SS
8	BODY - HALF	300 Series SS
9	SEAT INSERT	300 Series SS
10	SEAT INSERT SEAL	EPDM

## DIMENSIONS & CAPACITIES

SIZE (NPT)	D		L		Weight		Port Size	C <sub>v</sub>	Maximum Operating Pressure <sup>1&amp;2</sup>	Maximum Temperature
	in	mm	in	mm	Lb	Kg				
1/2"	1.3	33	4.5	114	0.9	0.4	C	1.3	300 PSIG (20.7 BAR)	149°C