



# SE106

Hand Operated Shower & Platform Operated Eye/Face Wash

## Installation, Maintenance and Operating Instructions

### DESCRIPTION

Floor mounted EMERGENCY DELUGE SHOWER & AERATED EYE/FACE WASH combination unit. Shower is supplied with a 25mm stay open full flow ball valve, activated by a triangle pull rod. Eye/Face wash is supplied with a self-closing platform operated valve, activated by walk on platform. Manufactured by PBA Safety to comply with AS 4775 - 2007

#### SHOWER

Shower Head: 200mm ABS Cicolac  
Valve: 25mm Stainless Steel  
Activator: 304 Stainless Steel Pull Rod  
Stanchion: 304 Stainless Steel Frame

#### EYE/FACE WASH

Eye/Face Wash: Triple Aerated Shrouds  
Valve: 40mm Female Brass  
Activator: Galvanized Grate  
Base Plate: 304 Stainless Steel

### INSTALLATION

After unpacking carton, ensure all components are present. Mark out the floor as per frame footprint detail. Mount unit to the floor using suitable fasteners. Fit upper section and activation pull rod and fasten. Prior to connecting the water supply flush pipeline to clear impurities and debris. Connect water supply to 32mm connection at the back of the platform frame. Turn water supply on and assure all connections are watertight. Failure to use potable water can result in emergency units producing impure or contaminated water causing possible further injury. Test unit.

### TESTING

The Australian Standards AS4775-2007 states that all safety equipment shall be activated on a weekly basis to flush the line and verify proper operation. All units include a testing tag to be filled out weekly.

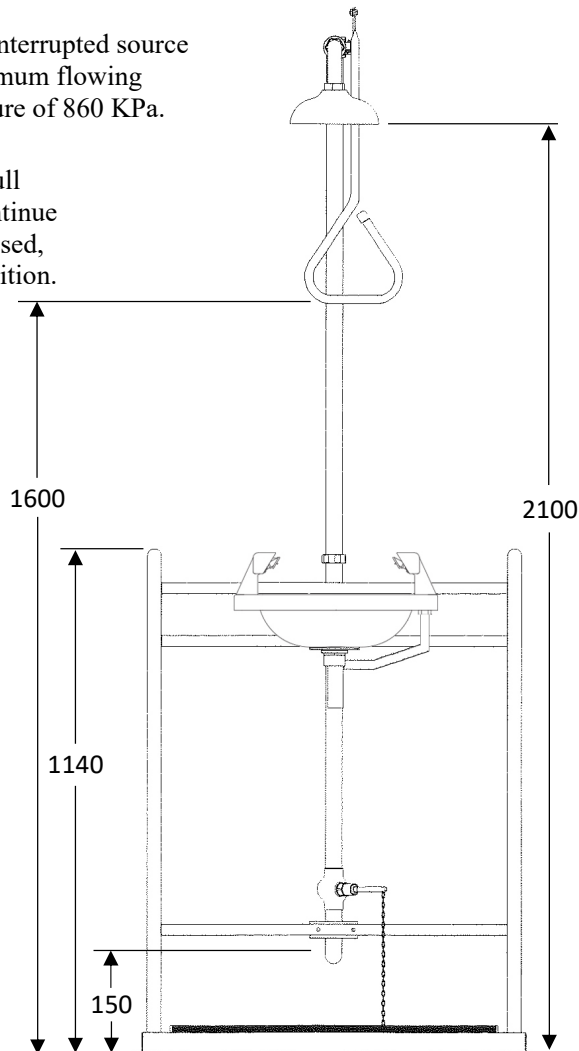
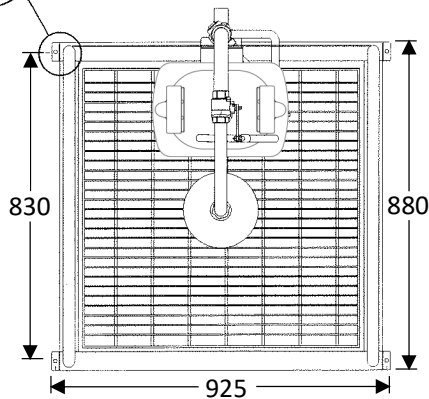
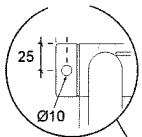
**NOTE:** This unit should be connected to an uninterrupted source of potable water, no less than 25mm with a minimum flowing pressure of 138KPa and a maximum static pressure of 860 KPa.

### OPERATION

The shower is activated by pulling the triangle pull rod. Once the valve is activated the head will continue to discharge water until the valve is manually closed, this is done by pushing the pull rod to the off position.



The eye wash is activated by step on platform. The unit automatically shuts off when you step off the platform.



SE106  
Combination Deluge Shower  
& Aerated Eye/Face Wash

**WARNING:** Use only genuine Speakman parts when replacing or repairing components.

To order free call 1800 444 022 or free fax 1800 444 024



# Installation, Maintenance and Operating Instructions

## MAINTENANCE

Should you need to repair this unit, please see the parts list for correct part numbers. Before any maintenance is done **be sure the water supply is shut off.**

## MAINTENANCE SCHEDULE

Activate eyewash unit and allow water

**Weekly** to flow for 30 seconds to flush line.

Ensure water flows evenly from both outlets.

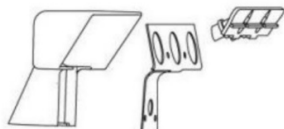
Ensure water is clean.

**Yearly** Ensure unit complies with AS 4775 – 2007.

- ① **Part No: RPG05-1177**  
Aerator Screen & Cap Assembly



- ② **Part No: G10-0041**  
Shroud Body Repair



- ③ **Part No: G10-0042**  
Complete Shroud Assembly



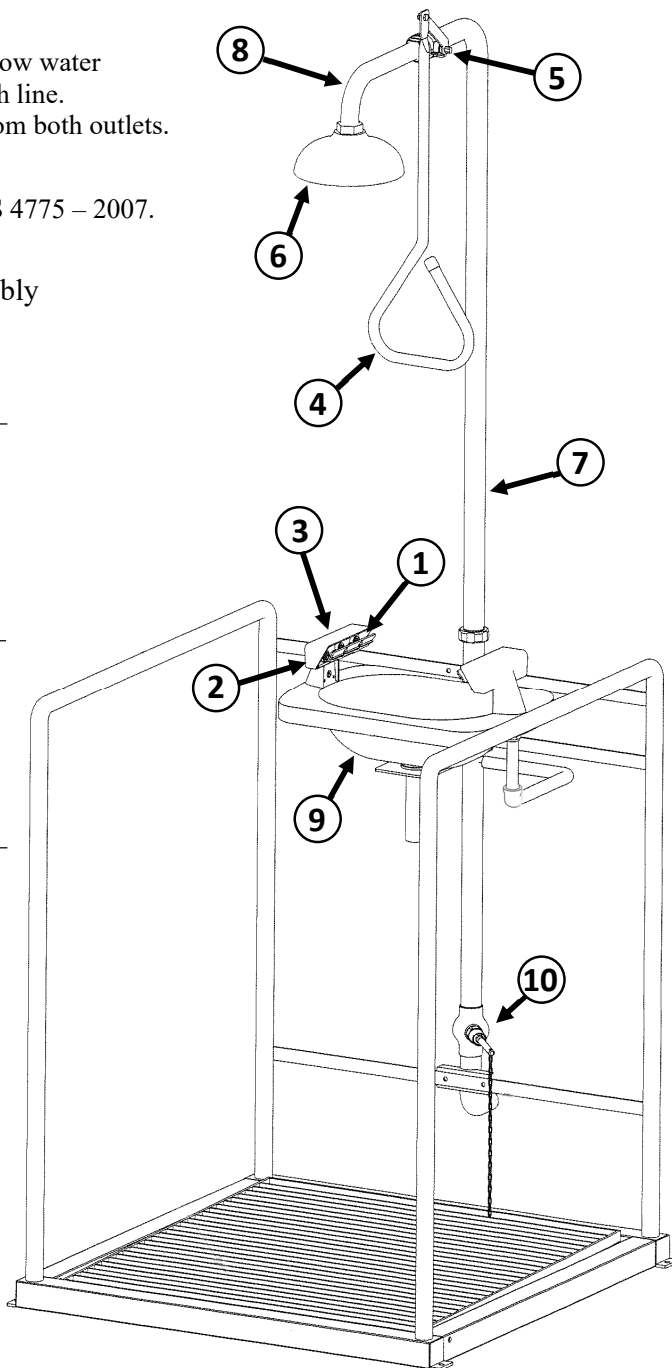
## FLOW DATA

### Eye/Face Wash

Flow Rate: 36 LPM

### Shower

Flow Rate: 78 LPM



## SPARE PARTS LIST

No:	Description:	Part No:
1.	Aerator, Screen & Cap Assembly	RPG05-1177
2.	Shroud Body Repair Kit	G10-0041
3.	Complete Shroud Assembly	G10-0042
4.	Pull Rod Assembly	SA 02008
5.	25mm Activation Ball Valve	SE 911
6.	200mm Cicolac Shower Head	SE 810
7.	Upper Shower Section	SA 03002UPR
8.	Shower Arm 25mm BSP	SC 02001
9.	Stainless Steel Bowl	68-0033
10.	Self Closing Platform Valve	SE902

**WARNING:** Use only genuine Speakman parts when replacing or repairing components.

To order free call 1800 444 022 or free fax 1800 444 024

**SE106**  
**Combination Deluge Shower**  
**& Aerated Eye/Face Wash**